



## TECHNICAL DATA

### STANDARD AND QUICK RESPONSE CONCEALED PENDENT SPRINKLER VK4621 (K5.6)

The Viking Corporation, 210 N Industrial Park Drive, Hastings MI 49058

Telephone: 269-945-9501 Technical Services: 877-384-5464 Fax: 269-818-1680 Email: techsvcs@vikingcorp.com

Visit the Viking website for the latest edition of this technical data page [www.vikinggroupinc.com](http://www.vikinggroupinc.com)

#### 1. DESCRIPTION

Viking Standard and Quick Response Concealed Pendent Sprinkler VK4621 is a thermosensitive glass-bulb spray sprinkler designed for installation on concealed pipe systems where the appearance of a smooth ceiling is desired.

The sprinkler consists of a permanently mounted and threaded adapter cup designed to be installed with a low-profile cover assembly that provides up to 1/2" (13 mm) of vertical adjustment. The two-piece design allows installation and testing of the sprinkler prior to installation of the cover plate. The threaded design of the concealed cover plate assembly allows easy installation of the cover plate after the system has been tested and the ceiling finish has been applied. The cover assembly can be removed and reinstalled, allowing temporary removal of ceiling panels without taking the sprinkler system out of service or removing the sprinkler. During installation of the sprinkler and system testing, the newly designed protective cap guards the sprinkler frame from damage.

The Electroless Nickel PTFE (ENT) coating has been investigated for installation in corrosive environments and is listed and approved as indicated in the Approval Charts. The ENT finish is only available for the sprinkler assembly, the cover plate is not plated.

#### 2. LISTINGS AND APPROVALS

 **cULus Listed:** Category VNIV



**FM Approved:** Class 2015

Also approved for use in FM Approved vacuum dry sprinkler systems with a maximum supervisory vacuum pressure of -3 psi (-207mbar)

Refer to the Approval Charts and Design Criteria on for cULus Listing requirements that must be followed.

#### 3. TECHNICAL DATA

##### Specifications:

Minimum Operating Pressure: 7 psi (0.5 bar)

Maximum Working Pressure: FM - 175 psi (12 bar). UL - 250 psi (17.2 bar)

Factory tested hydrostatically to 500 psi (34.5 bar).

Thread size: 1/2" (15 mm) NPT or 15 mm BSPT

Nominal K-Factor: 5.6 U.S. (80.6 metric\*)

Glass-bulb fluid temperature rated to -65 °F (-55 °C)

\* Metric K-factor measurement shown is in Bar. When pressure is measured in kPa, divide the metric K-factor shown by 10.0.

##### Material Standards:

Sprinkler Frame: QM Brass

Deflector: Phosphor Bronze UNS-C51000

Deflector Pins: Stainless Steel UNS-S43000

Pip Cap and Insert Assembly: Copper UNS-C11000, SS UNS-S30400 and SS UNS-S31600

Compression Screw: UNS-C36000

Belleville Spring Sealing Assembly: Nickel Alloy, coated on both sides with PTFE Tape

Cover Adapter: Cold Rolled Steel UNS-G10080, Finish: Clear Chromate over Zinc Plating

Shipping Cap: HPDE

##### Cover Plate Materials:

Cover Plate Assembly: Copper UNS-C11000 and Brass UNS-C26800 or Stainless Steel UNS-S30400

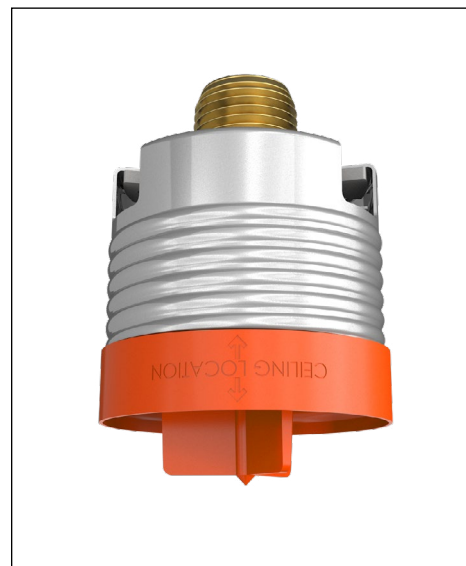
Spring: Beryllium Nickel

Solder: Eutectic

**Ordering Information:** Refer to Tables 1 and 2.

#### 4. INSTALLATION

Refer to appropriate NFPA Installation Standards and installation instructions in this document.



**WARNING:** Cancer and Reproductive Harm-  
[www.P65Warnings.ca.gov](http://www.P65Warnings.ca.gov)



## TECHNICAL DATA

### STANDARD AND QUICK RESPONSE CONCEALED PENDENT SPRINKLER VK4621 (K5.6)

The Viking Corporation, 210 N Industrial Park Drive, Hastings MI 49058

Telephone: 269-945-9501 Technical Services: 877-384-5464 Fax: 269-818-1680 Email: techsvcs@vikingcorp.com

Visit the Viking website for the latest edition of this technical data page [www.vikinggroupinc.com](http://www.vikinggroupinc.com)

#### 5. OPERATION

During fire conditions, when the temperature around the sprinkler approaches its operating temperature, the cover plate detaches, releasing the deflector. Continued heating of the exposed sprinkler causes the heat-sensitive liquid in the glass bulb to expand, causing the glass to shatter, releasing the pip cap and sealing spring assembly. Water flowing through the sprinkler orifice strikes the deflector, forming a uniform spray pattern over a specific area of coverage determined by the water supply pressure at the sprinkler to extinguish or control the fire.

#### 6. INSPECTIONS, TESTS AND MAINTENANCE

Refer to NFPA 25 for Inspection, Testing and Maintenance requirements.

#### 7. AVAILABILITY

Viking Sprinkler Model VK4621 is available through a network of domestic and international distributors. See The Viking Corporation web site for the closest distributor or contact The Viking Corporation.

#### 8. GUARANTEE

For details of warranty, refer to Viking's current list price schedule or contact Viking directly.

### TABLE 1: ORDERING INFORMATION

#### Instructions:

- (1) Select a Sprinkler Base Part Number
- (2) Add the suffix for the desired Finish
- (3) Add the suffix for the desired Sprinkler Temperature Rating
- (4) Order a cover plate (refer to Table 2)

#### Example:

22961AE = 200 °F (93 °C) Temperature Rated Sprinkler with a standard Brass finish.

Sprinkler Base Part No.	Size		1: Finishes		2: Temperature Ratings				
	NPT Inch	BSPT mm	Description	Suffix <sup>1</sup>	Sprinkler Temperature Classification	Nominal Rating	Bulb Color	Max. Ambient Ceiling Temperature <sup>2</sup>	Suffix
22961	1/2	--	Brass	A	Ordinary	155 °F (68 °C)	Red	100 °F (38 °C)	B
22962	--	15	ENT <sup>3,4</sup>	JN	Intermediate	175 °F (79 °C)	Yellow	150 °F (65 °C)	D
					Intermediate	200 °F (93 °C)	Green	150 °F (65 °C)	E

#### Accessories

#### Sprinkler Wrenches<sup>5</sup> and Tools (see Figure 1):

- A. Heavy Duty Wrench - part number: 22978MB
- B. Installation Wrench - part number 23143
- C. Protective cap removal tool - part number: 23142

#### Sprinkler Cabinet:

Part number 01731A.

#### Footnotes

1. Where a dash (-) is shown in the Finish suffix designation, insert the desired Temperature Rating suffix. See example above.
2. Based on NFPA 13, NFPA 13R, and NFPA 13D. Other limits may apply, depending on fire loading, sprinkler location, and other requirements of the Authority Having Jurisdiction. Refer to specific installation standards.
3. UL Listed as corrosion resistant.
4. The corrosion resistant coatings have passed the standard corrosion test required by the approving agencies indicated in the Approval Chart. These tests cannot and do not represent all possible corrosive environments. Prior to installation, verify through the end-user that the coatings are compatible with or suitable for the proposed environment. For automatic sprinklers, the ENT coating is applied to all exposed exterior surfaces, including the waterway.
5. Requires a 1/2" ratchet which is not available from us.

	<h2 style="margin: 0;">TECHNICAL DATA</h2>	<p><b>STANDARD AND QUICK RESPONSE CONCEALED PENDENT SPRINKLER VK4621 (K5.6)</b></p>
---	--	---

The Viking Corporation, 210 N Industrial Park Drive, Hastings MI 49058  
 Telephone: 269-945-9501 Technical Services: 877-384-5464 Fax: 269-818-1680 Email: techsvcs@vikingcorp.com  
 Visit the Viking website for the latest edition of this technical data page www.vikinggroupinc.com

**TABLE 2: COVER PLATE ORDERING INFORMATION**

- Instructions:**
- (1) Select a Cover Plate Base Part Number
  - (2) Add the suffix for the desired Finish
  - (3) Add the suffix for the required Cover Plate Nominal Rating.

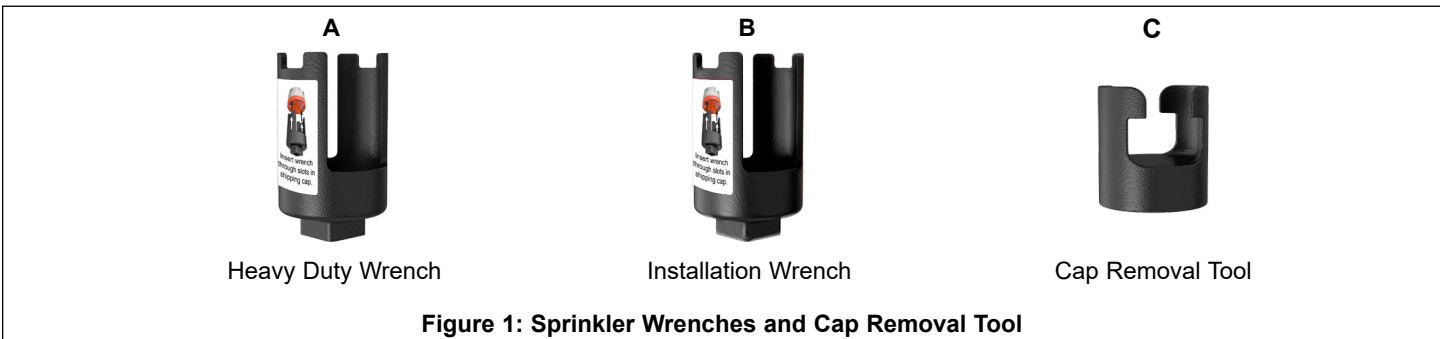
**Example:**  
 23190MC/W = 165 °F (74 °C) Temperature Rated 2-3/4" (70 mm) diameter Round Cover Plate with a Painted White finish.

1: Select a Cover Plate Base Part Number <sup>3</sup>						2: Select a Finish	
Thread-On Style			Push-On Style			Description	Suffix <sup>5</sup>
Base Part Number	Size Inch (mm)	Type	Base Part Number	Size Inch (mm)	Type		
23190	2-3/4 (70)	Round	23447	2-3/4 (70)	Round	Polished Chrome	F
23174	3-5/16 (84)	Round	23463	3-5/16 (84)	Round	Brushed Chrome	F-/B
23179	3-5/16 (84)	Square	23482	3-5/16 (84)	Square	Bright Brass	B
23193 <sup>4</sup>	2-3/4 (70)	Stainless Steel Round	23455	2-3/4 (70)	Stainless Steel Round	Antique Brass	B-/A
23183 <sup>4</sup>	3-5/16 (84)	Stainless Steel Round	23473	3-5/16 (84)	Stainless Steel Round	Brushed Brass	B-/B
23174-/CR	3-5/16 (84)	Clean Room	23463-/CR	3-5/16 (84)	Clean Room	Brushed Copper	E-/B
23183-/CR	3-5/16 (84)	Stainless Steel Round Clean Room	23473-/CR	3-5/16 (84)	Stainless Steel Round Clean Room	Painted White	M-/W
23174-/CR	3-5/16 (84)	Clean Room	23463-/CR	3-5/16 (84)	Clean Room	Painted Ivory	M-/I
23183-/CR	3-5/16 (84)	Stainless Steel Round Clean Room	23473-/CR	3-5/16 (84)	Stainless Steel Round Clean Room	Painted Black	M-/B

3: Temperature Rating Matrix <sup>1,2</sup>				
Cover Plate Nominal Rating (Required)	Temperature Classification	Sprinkler Nominal Rating	Sprinkler Maximum Ambient Ceiling Temperature <sup>2</sup>	Suffix
UL: 135 °F (57 °C) FM: 139° F (59 °C)	Ordinary	155 °F (68 °C)	100 °F (38 °C)	<b>A</b>
165 °F (74 °C)	Intermediate	175 °F (79 °C)	150 °F (65 °C)	<b>C</b>
165 °F (74 °C)	Intermediate	200 °F (93 °C)	150 °F (65 °C)	<b>C</b>

**Footnotes**

1. The sprinkler temperature rating is stamped on the deflector.
2. Based on NFPA-13. Other limits may apply, depending on fire loading, sprinkler location, and other requirements of the Authority Having Jurisdiction. Refer to specific installation standards.
3. Part number shown is the base part number. For complete part number, refer to current Viking price list schedule.
4. Stainless Steel versions are not available with any finishes or paint.
5. Where a dash (-) is shown in the Finish suffix designation, insert the desired Temperature Rating suffix. See example above.

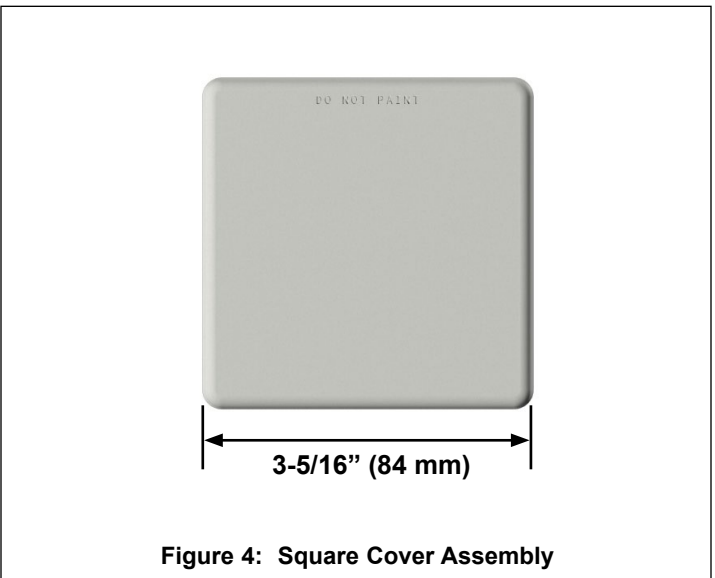
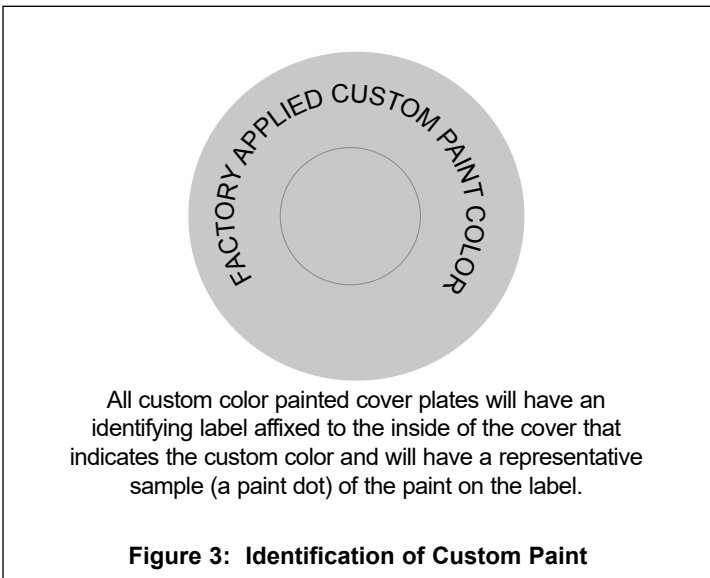
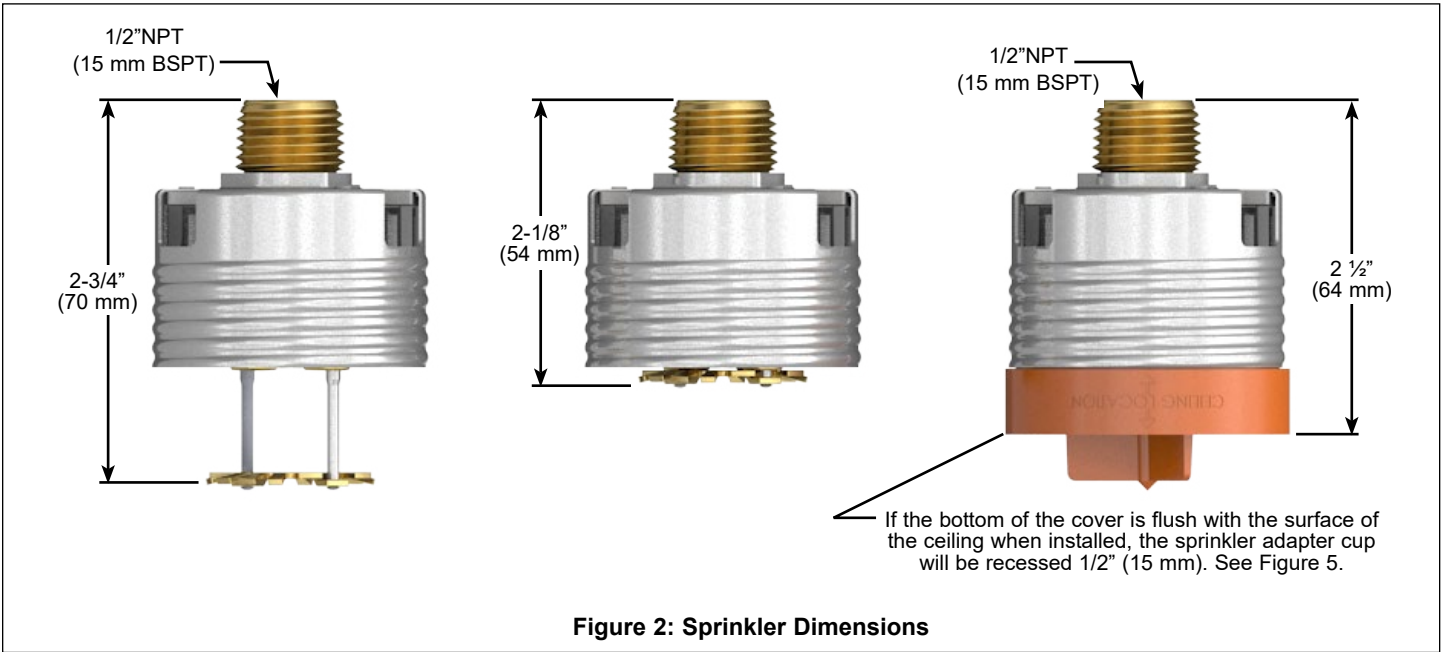




**TECHNICAL DATA**

**STANDARD AND QUICK RESPONSE CONCEALED PENDENT SPRINKLER VK4621 (K5.6)**

The Viking Corporation, 210 N Industrial Park Drive, Hastings MI 49058  
 Telephone: 269-945-9501 Technical Services: 877-384-5464 Fax: 269-818-1680 Email: techsvcs@vikingcorp.com  
 Visit the Viking website for the latest edition of this technical data page [www.vikinggroupinc.com](http://www.vikinggroupinc.com)





## TECHNICAL DATA

### STANDARD AND QUICK RESPONSE CONCEALED PENDENT SPRINKLER VK4621 (K5.6)

The Viking Corporation, 210 N Industrial Park Drive, Hastings MI 49058  
 Telephone: 269-945-9501 Technical Services: 877-384-5464 Fax: 269-818-1680 Email: techsvcs@vikingcorp.com  
 Visit the Viking website for the latest edition of this technical data page www.vikinggroupinc.com

<b>Approval Chart</b>									
Concealed Pendent Sprinkler VK4621									
Sprinkler Base Part No. <sup>1</sup>	SIN	Thread Size		Nominal K-factor		Maximum Water Working Pressure		Listings and Approvals <sup>3</sup> (Refer also to Design Criteria)	
		NPT Inch	BSPT mm	U.S.	metric <sup>2</sup>	FM	cULus	cULus <sup>4</sup>	FM
<b>Standard Response Applications</b>									
22961A	VK4621	1/2"	--	5.6	80.6	175 psi (12 bar)	--	--	AV1, BX1, AS2, BT2
22961JN <sup>7</sup>	VK4621	1/2"	--	5.6	80.6	175 psi (12 bar)	--	--	--
22962A	VK4621	--	15	5.6	80.6	175 psi (12 bar)	--	--	AV1, BX1, AS2, BT2
22962JN <sup>7</sup>	VK4621	--	15	5.6	80.6	175 psi (12 bar)	--	--	--
<b>Quick Response Applications</b>									
22961A	VK4621	1/2"	--	5.6	80.6	--	250 psi (17.2 bar)	AV1, BX1, AS2, BT2, AY3, BZ3	--
22961JN <sup>7</sup>	VK4621	1/2"	--	5.6	80.6	--	250 psi (17.2 bar)	AV1, BX1, AS2, BT2, AY3, BZ3	--
22962A	VK4621	--	15	5.6	80.6	--	250 psi (17.2 bar)	AV1, BX1, AS2, BT2, AY3, BZ3	--
22962JN <sup>7</sup>	VK4621	--	15	5.6	80.6	--	250 psi (17.2 bar)	AV1, BX1, AS2, BT2, AY3, BZ3	--
Sprinkler Temperature Ratings				Cover Plate Assembly Temperature Ratings <sup>5</sup>				Cover Plate Assembly Finishes	
A = 155 °F (68 °C) B = 175 °F (79 °C) and 200 °F (93 °C)				S - 135 °F (57 °C) cULus Listed or 139 °F (59 °C) FM Approved Stainless Steel cover 23193 and 23455, or 23183 and 23473 (large diameter) T - 165 °F (74 °C) Stainless Steel cover 23193 and 23455 or 23183 and 23473 (large diameter) V - 135 °F (57 °C) cULus Listed or 139 °F (59 °C) FM Approved cover 23190 and 23447, 23174 and 23463 (large diameter), or 23179 and 23482 (square cover plate) X - 165 °F (74 °C) cover 23190 and 23447, or 23174 and 23463 (large diameter) Y - 135 °F (57 °C) Clean Room Cover 23174A-/CR and 23463A-/CR or 135 °F (57 °C) Stainless Steel Clean Room Cover 23183A/CR and 23473A/CR Z - 165 °F (74 °C) Clean Room Cover 23174C-/CR and 23463C-/CR				1 - Polished Chrome, Brushed Chrome, Bright Brass, Antique Brass, Brushed Brass, Brushed Copper, Painted <sup>6</sup> White, Painted <sup>6</sup> Ivory, or Painted <sup>6</sup> Black 2 - Stainless Steel 3 - Polished Chrome, Painted White, Painted Ivory, or Painted Black	
<b>Footnotes</b>									
<ol style="list-style-type: none"> <li>1. Part number shown is the base part number. For complete part number, refer to current Viking price list schedule.</li> <li>2. Metric K-factor measurement shown is when pressure is measured in Bar. When pressure is measured in kPa, divide the metric K-factor shown by 10.0.</li> <li>3. This chart shows the listings and approvals available at the time of printing. Other approvals may be in process. Check with the manufacturer for any additional approvals.</li> <li>4. Listed by Underwriter's Laboratories for use in the U.S. and Canada.</li> <li>5. The 135 °F (57 °C) [139 °F (59 °C)] covers have an orange label. The 165 °F (74 °C) covers have a white label.</li> <li>6. Other paint colors are available on request with the same listings as the standard paint colors. Listings and approvals apply for any paint manufacturer. Contact Viking for additional information.</li> <li>7. cULus Listed as corrosion resistant.</li> </ol> <p><b>NOTE: Custom colors are indicated on a label inside the cover assembly. Refer to Figure 3.</b></p>									



## TECHNICAL DATA

### STANDARD AND QUICK RESPONSE CONCEALED PENDENT SPRINKLER VK4621 (K5.6)

The Viking Corporation, 210 N Industrial Park Drive, Hastings MI 49058  
 Telephone: 269-945-9501 Technical Services: 877-384-5464 Fax: 269-818-1680 Email: techsvcs@vikingcorp.com  
 Visit the Viking website for the latest edition of this technical data page [www.vikinggroupinc.com](http://www.vikinggroupinc.com)

#### DESIGN CRITERIA - UL

(Also refer to Approval Chart)

##### cULus Listing Requirements:

Concealed Pendent Sprinkler VK4621 is cULus Listed as quick response for installation in accordance with the latest edition of NFPA 13 for standard coverage pendent spray sprinklers as indicated below.

- For hazard occupancies up to and including Ordinary Hazard, Group II.
- Protection areas and maximum spacing shall be in accordance with the tables provided in NFPA 13. Maximum spacing allowed is 15 ft. (4.6 m).
- Minimum spacing allowed is 6 ft. (1.8 m) unless baffles are installed in accordance with NFPA 13.
- Minimum distance from walls is 4 in. (102 mm).
- Maximum distance from walls shall be no more than one-half of the allowable distance between sprinklers. The distance shall be measured perpendicular to the wall.
- The sprinkler obstruction rules contained in NFPA 13 for standard coverage pendent spray sprinklers must be followed.

**NOTE: Concealed sprinklers must be installed in neutral or negative pressure plenums only.**

**IMPORTANT: Always refer to Bulletin Form No. F\_091699 - Care and Handling of Sprinklers. Also refer to Form No. F\_080614 for general care, installation, and maintenance information. Viking sprinklers are to be installed in accordance with the latest edition of Viking technical data, the appropriate standards of NFPA, LPCB, APSAD, VdS or other similar organizations, and also with the provisions of governmental codes, ordinances, and standards, whenever applicable.**

#### DESIGN CRITERIA - FM

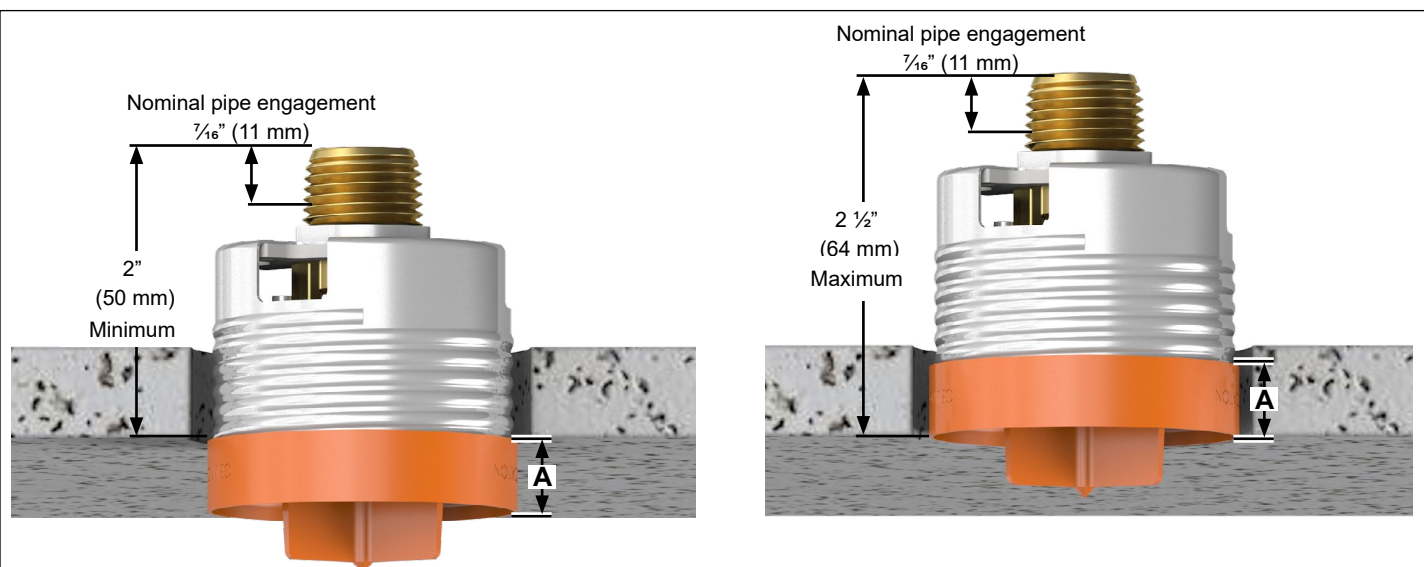
(Also refer to Approval Chart)

##### FM Approval Requirements:

Viking Concealed Pendent Sprinkler VK4621 is FM Approved as a standard response **Non-Storage** concealed pendent sprinkler as indicated in the FM Approval Guide. For specific application and installation requirements, reference the latest applicable FM Loss Prevention Data Sheets (including Data Sheet 2-0). FM Global Loss Prevention Data Sheets contain guidelines relating to, but not limited to: minimum water supply requirements, hydraulic design, ceiling slope and obstructions, minimum and maximum allowable spacing, and deflector distance below the ceiling.

**NOTE: The FM installation guidelines may differ from cULus and/or NFPA criteria.**

**IMPORTANT: Always refer to Bulletin Form No. F\_091699 - Care and Handling of Sprinklers. Also refer to Form No. F\_080614 for general care, installation, and maintenance information. Viking sprinklers are to be installed in accordance with the latest edition of Viking technical data, the appropriate standards of NFPA, LPCB, APSAD, VdS or other similar organizations, and also with the provisions of governmental codes, ordinances, and standards, whenever applicable.**



Install the sprinkler so the finished surface of the ceiling lines up within the marked 1/2" (13 mm) range on the protective cap (A).

**Figure 5: Sprinkler Installation Dimensions**





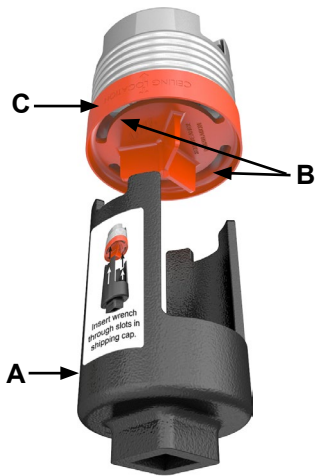
**TECHNICAL DATA**

**STANDARD AND QUICK RESPONSE CONCEALED PENDENT SPRINKLER VK4621 (K5.6)**

The Viking Corporation, 210 N Industrial Park Drive, Hastings MI 49058  
 Telephone: 269-945-9501 Technical Services: 877-384-5464 Fax: 269-818-1680 Email: techsvcs@vikingcorp.com  
 Visit the Viking website for the latest edition of this technical data page www.vikinggroupinc.com

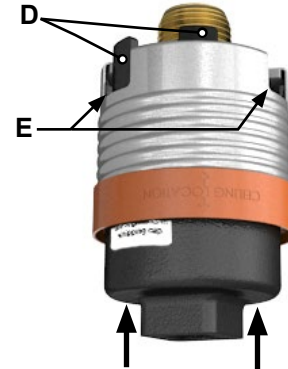


**USE ONLY** the designated sprinkler wrenches shown in this document. Permanent damage to the sprinkler assembly can occur if the proper wrench is not used. Other sprinkler wrenches available from Viking may fit into the sprinkler adapter cup; however, only the wrenches shown here are designed to properly install this sprinkler.



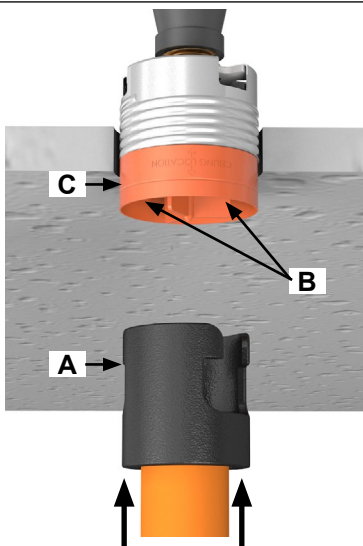
**Step 1:**  
 Insert the wrench (A) into the slots (B) on the protective cap (C).

Scan for Installation Video

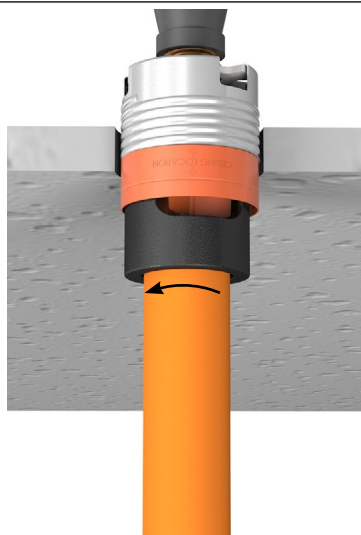


**Step 2:**  
 Rotate the wrench slightly in either direction until the tines on the wrench (D) line up with the vent openings (E) on the adapter cup and lock into place. **NOTE:** A leak tight seal must be achieved. Turn the sprinkler clockwise 1 to 1-½ turns past finger-tight.

**Figure 6: Using the Sprinkler Wrenches**



**Step 1:**  
 Attach a peice of plastic pipe as shown and tighten the thumb screw; then, insert the tool (A) into the slots (B) in the protective cap (C).



**Step 2:**  
 Rotate the tool slightly to lock into place.



**Step 2:**  
 Gently, pull downward to remove the protective cap. The deflector will slide downwards on the pins.

**Figure 7: Using the Cap Removal Tool**



**TECHNICAL DATA**

**STANDARD AND  
QUICK RESPONSE  
CONCEALED PENDENT  
SPRINKLER VK4621 (K5.6)**

The Viking Corporation, 210 N Industrial Park Drive, Hastings MI 49058  
Telephone: 269-945-9501 Technical Services: 877-384-5464 Fax: 269-818-1680 Email: techsvcs@vikingcorp.com  
Visit the Viking website for the latest edition of this technical data page [www.vikinggroupinc.com](http://www.vikinggroupinc.com)

